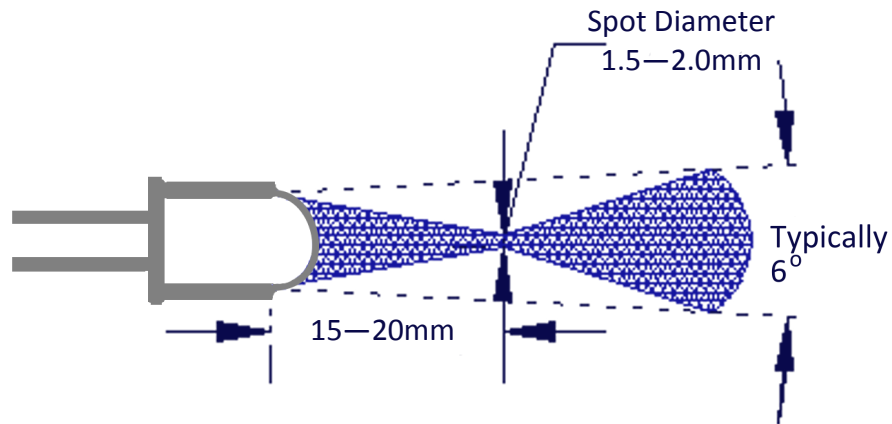


Typical Emission Pattern



Typical Angular Diagram

